



PEUGEOT BOXER

PRICES, EQUIPMENT & TECHNICAL SPECIFICATION
MARCH 2021: E & OE



KNOW EVERYTHING ABOUT YOUR NEW BOXER



BOXER PANEL & BOXER PROFESSIONAL PANEL VAN

BOXER STANDARD PANEL VAN	BOXER PROFESSIONAL PANEL VAN (BOXER STANDARD +)
<p>Exterior Style & Loading</p> <ul style="list-style-type: none"> • Near side unglazed sliding side door • Twin unglazed rear doors • Full steel bulkhead with sliding window • Eight tie-down hooks in the load area (ten on L3 & L4) • Load area interior light (two on H2 & H3) <p>Safety and Security</p> <ul style="list-style-type: none"> • Electronic Stability Control, EBFD (Electronic Brake Force Distribution) and ABS • Driver's airbag • Remote central locking with deadlocks; separate locking for cab <p>Comfort and Convenience</p> <ul style="list-style-type: none"> • Heated drivers seat with lumbar adjustment, height adjustment + armrest. Includes folding writing table on passenger seat • Dual cab passenger seat • Reach adjustable steering column • Front electric windows • Electrically adjustable, folding and heated door mirrors • Full size steel spare wheel • 'Magnet' Cloth upholstery • Cup Holders <p>Technology and Entertainment</p> <ul style="list-style-type: none"> • FM, DAB Digital Radio • Bluetooth with USB input • 12v Socket in cabin 	<p>Exterior Style & Loading</p> <ul style="list-style-type: none"> • Wheel covers <p>Safety and Security</p> <ul style="list-style-type: none"> • Cruise Control and speed limiter • Rear parking sensor (audible) • Fog lights <p>Comfort and Convenience</p> <ul style="list-style-type: none"> • Manual Air Conditioning <p>Technology and Entertainment</p> <ul style="list-style-type: none"> • Touchscreen Radio (does not include Mirror screen as not available)



PEUGEOT BOXER RETAIL PRICE LIST

BOXER PANEL VAN: RRSP* RETAIL PRICE LIST

Length / Height	Model	Model Description	RRSP* From €	CO2	VRT Band	Annual Road Tax	Engine CC	Fuel Type
L1 H1	330	2.2 BlueHDi 120bhp 1155kg	€25,545	155	Comm	€333	2197	Diesel
L2 H1	333	2.2 BlueHDi 140bhp 1400kg	€28,000	153	Comm	€333	2197	Diesel
L2 H2	333	2.2 BlueHDi 140bhp 1375kg	€28,560	159	Comm	€333	2197	Diesel
L3 H2	333	2.2 BlueHDi 140bhp 1325kg	€29,195	162	Comm	€333	2197	Diesel
L3 H2	335	2.2 BlueHDi 140bhp 1525kg	€30,065	162	Comm	€333	2197	Diesel
L3 H2	335	2.2 BlueHDi 165bhp 1525kg	€31,440	168	Comm	€333	2197	Diesel
L4 H3	435	2.2 BlueHDi 140bhp 1410kg	€32,120	175	Comm	€333	2197	Diesel
L4 H3	435	2.2 BlueHDi 140bhp 1410kg Cruise control & Reverse Camera	€33,435	175	Comm	€333	2197	Diesel
L1 H1	330	Professional 2.2 BlueHDi 120bhp 1155kg	€26,695	155	Comm	€333	2197	Diesel
L2 H1	333	Professional 2.2 BlueHDi 140bhp 1400kg	€29,150	153	Comm	€333	2197	Diesel
L2 H2	333	Professional 2.2 BlueHDi 140bhp 1375kg	€29,710	159	Comm	€333	2197	Diesel
L3 H2	333	Professional 2.2 BlueHDi 140bhp 1325kg	€30,345	162	Comm	€333	2197	Diesel
L3 H2	335	Professional 2.2 BlueHDi 140bhp 1525kg	€31,215	162	Comm	€333	2197	Diesel
L3 H2	335	Professional 2.2 BlueHDi 165bhp 1525kg	€32,590	168	Comm	€333	2197	Diesel
L4 H3	435	Professional 2.2 BlueHDi 140bhp 1410kg	€33,270	175	Comm	€333	2197	Diesel
L4 H3	435	Professional 2.2 BlueHDi 140bhp 1410kg Cruise control & Reverse Camera	€34,585	175	Comm	€333	2197	Diesel
L2	435	2.2 BlueHDi 140bhp Chassis Cab	€30,060	TBC	Comm	€333	2197	Diesel
L3	435	2.2 BlueHDi 140bhp Chassis Cab	€30,600	186	Comm	€333	2197	Diesel
L3	435	2.2 BlueHDi 140bhp Double Chassis Cab	€36,270	TBC	Comm	€333	2197	Diesel
L4	435	2.2 BlueHDi 140bhp Double Chassis Cab	€36,900	TBC	Comm	€333	2197	Diesel
L3	435	2.2 BlueHDi 165bhp Chassis Cab	€31,850	TBC	Comm	€333	2197	Diesel
L3	435	2.2 BlueHDi 140bhp Floor Cab	€29,750	TBC	Comm	€333	2197	Diesel
L3	435	2.2 BlueHDi 165bhp Floor Cab	€31,000	TBC	Comm	€333	2197	Diesel
L2	435	L3 2.2 BlueHDi 140bhp Dropside	€31,900	TBC	Comm	€333	2197	Diesel
L2	435	2.2 BlueHDi 140bhp Tipper	€35,450	186	Comm	€333	2197	Diesel

* Dealer delivery related charges, metallic paint and tyre recycling levy not included

PEUGEOT BOXER OPTION PRICE LIST

BOXER PANEL VAN: RRSP* OPTIONS LIST

	CODE	BOXER	BOXER PROFESSIONAL	RRSP
PAINT				
Metallic	..M0	○	○	€550
Special Paint	..E0	○	○	€990
HEATING AND VENTILATION				
Manual air conditioning for cab area, including glovebox	RE01	○	●	€1,125
Automatic air conditioning	RE07	○	○	€1,600 Boxer €480 Pro
COMFORT AND CONVENIENCE				
Cabin overhead storage	JO01	○	○	€85
Rear parking sensors (audible)	UB01	○	●	€355
Rear parking Camera (not audible) (includes Touchscreen Radio)	UB02	○	○	€1,130 Boxer €420 Pro
Rear parking sensors and rear parking camera (includes Touchscreen Radio)	UB09	○	○	€1,485 Boxer €775 Pro
Grip control	UF04	○	○	€230
Leather steering wheel	VH04	○	○	€85
SAFETY AND SECURITY				
Digital Tachograph - Standard on 440 versions -	HC07	○	○	€650
Lane departure warning	LI01	○	○	€330
Passenger airbag	NN01	○	○	€365
Side and curtain airbags (Single passenger seat with airbag become standard when ordered. Driver's seat includes lumbar adjustment and armrest)	NF04	○	○	€460
Cruise Control / Speed Limiter (driver adjustable, n/a on 440 models)	RG03	○	○	€280
Speed Limiter 100 km/h Factory option (Not available on 160BHP versions)	RG06	○	○	€115
Tyre pressure monitoring system	UE01	○	○	€140
Perimeter and anti-lift alarm	WC05	○	○	€415
TYRES AND SUSPENSION				
Alloy wheels - 15" (330, 333 & 335 versions)	DZ85	○	○	€315
Reinforced twin-leaf suspension (Standard on 440 versions)	SE08	○	○	€115
Rear pneumatic suspension (self-adjusting)	UA04	○	○	€1,750

PEUGEOT BOXER OPTIONS PRICE LIST

	CODE	BOXER	BOXER PROFESSIONAL	RRSP
EXTERIOR LIGHTING AND VISIBILITY				
Automatic lights and wipers	NB08	○	○	€240
Front LED daytime running lights (N/A on L4 versions)	FE10	○	○	€345
Front LED daytime running lights (L4 versions only)	FE12	○	○	€345
Front fog lights	PR01	○	○	€180
LOAD AREA				
12V Socket in load area	ES02	○	○	€50
Flashlight in load area	PG20	○	○	€35
DOORS AND WINDOW OPTIONS				
Glazing to nearside sliding side door	PC10	○	○	€100
Second (offside) sliding side door (N/A on H3 versions)	PC12	○	○	€595
Glazing to both sliding side doors (N/A on H3 versions)	PC13	○	○	€676
270° opening rear doors	LL02	○	○	€380
SEATING				
Air suspension drivers seat - including full headrest, lumbar adjustment and armrest. Includes folding writing table on passenger)	RH16	○	○	€415
Single passenger seat with armrest, height and lumbar adjustment, in lieu of dual seat	WM08	○	○	€85
INFOTAINMENT				
Touchscreen Radio/CD including Bluetooth® and USB input	RC58	○	●	€710
Navigation system	JY02 + RC58	○	○	€1,305 €595 Pro
OTHER				
Fixed towing hook	AQ03	○	○	€580
Detachable towing hook	AQ05	○	○	€745
Reinforced battery (110Ah) - N/A on Stop/Start versions	BF02	○	○	€50
Alternator 220A	BQ01	○	○	€825
Engine under-tray protection	FX01	○	○	€130
Conversion interface box including 220A alternator - Only for use for electrical connections for integral elements of a vehicle conversion	J101	○	○	€115

PEUGEOT BOXER EQUIPMENT

BOXER PANEL VAN: EQUIPMENT

	Standard Panel Van	Professional Van
TECHNOLOGY & ENTERTAINMENT		
FM, DAB Digital Radio including Bluetooth and USB socket	●	●
Roof mounted aerial	●	●
Four speakers (2 speakers & 2 tweeters)	●	●
Touchscreen Radio (does not include Mirror screen as not available)	○	●
COMFORT AND CONVENIENCE		
Variable assisted power steering (<i>except 2.0 BlueHDi 110bhp version</i>)	●	●
Gear shift indicator	●	●
Electrically adjustable, folding and heated door mirrors	●	●
Electric front windows	●	●
Reach adjustable steering column	●	●
Central dash folding clipboard (deleted with passenger airbag)	●	●
Four speed heater blower, four face level vents and two side window demisters	●	●
Manual Air Condition	○	●
Rear parking sensor (audible)	○	●
SAFETY & SECURITY		
ABS	●	●
ESP (including traction control)	●	●
EBFD (Electronic Brake Force Distribution)	●	●
Oil level indicator	●	●
Driver's airbag	●	●
Steel spare wheel	●	●
Full steel bulkhead	●	●
Three x3 point inertia reel, height adjustable seatbelts (Two with single passenger seat)	●	●
Thatcham rolling transponder immobiliser	●	●
Deadlocks	●	●
Wheel covers	○	●
3-button flip remote control central locking x1	●	●
Lockable fuel filler cap	●	●
Visible Vehicle Identification Number (at base of windscreen)	●	●

● Standard

PEUGEOT BOXER EQUIPMENT

BOXER PANEL VAN: EQUIPMENT

	Standard Panel Van	Professional Van
EXTERIOR LIGHTING & VISIBILITY		
Halogen headlights with clear polycarbonate lenses	●	●
Rear fog lights and twin reversing lights	●	●
Remote headlight adjustment from facia	●	●
Filtering tinted glass	●	●
Two speed and intermittent front wipers	●	●
High level third brake light	●	●
Fog lights	○	●
DOOR & WINDOW OPTIONS		
Solid twin 180° opening rear doors	●	●
Solid nearside sliding side door	●	●
INSTRUMENTS		
Speedometer with digital odometer and digital trip recorder	●	●
Rev counter, water temperature gauge, fuel gauge and trip computer	●	●
Side light, headlamp, indicator and battery charge warning	●	●
Digital clock	●	●
Lights on warning buzzer	●	●
Door open warning for cab doors	●	●
Cruise Control and speed limiter	○	●
INTERIOR FEATURES		
Two glove boxes	●	●
Large driver & passenger door pockets	●	●
Open storage on passenger side lower dash	●	●
12v socket in cabin	●	●
Interior light front cabin	●	●
Eight tie-down hooks in the load area (ten on L3 & L4)	●	●
Load area light (two on H2 & H3)	●	●
Cupholder x 2	●	●
SEATING		
Dual cab passenger seat	●	●
Front door armrests	●	●
Non slip hardwearing front cabin floor covering	●	●
Heated drivers seat with lumbar adjustment, height adjustment + armrest. Includes folding writing table on passenger seat	●	●

● Standard

PEUGEOT BOXER COLOURS & TRIMS

BOXER PANEL VAN: COLOURS & TRIMS

		Standard Panel Van
Upholstery		Magnet Cloth
Trim Code		35FX
Solid Paint		
Bianca White	WPP0	●
Clipper Blue	5VP0	●
Dragon Blue	4PP0	●
Volcano Red	1XP0	●
Horizon Yellow	B1P0	●
Metallic Paint		
Aluminium	ZRM0	○
Graphite Grey	E9M0	○
Golden White	H8M0	○
Azzuro Blue	4FM0	○
Special Paint		
Black	XYE0	○

Please be aware that when requesting a special paint, additional costs will be incurred and lead times can be increased.



PEUGEOT BOXER TECHNICAL INFORMATION

VERSIONS	2.2 BlueHDi 120bhp	2.2 BlueHDi 140bhp					2.2 BlueHDi 165bhp
Level	330	333			335	435	335
Length	L1	L2		L3		L4	L3
Height	H1	H1	H2			H3	H2
ENGINE							
Capacity (cc)	2179	2179					2179
Cylinders / Valves	4 / 16	4 / 16					4 / 16
Max power CEE (bhp/kW/rpm)	88 (120) / 3500	103 (140) / 3750					TBC
Max torque CEE (Nm/rpm)	310 (228) / 1500	340 (250) / 1750					TBC
Bore and stroke (mm)	85 x 96	85 x 96					TBC
Fuel system	Diesel - High pressure turbo-charged direct injection						
Euro status	EURO 6.2						
Stop & Start system	●						
TRANSMISSION							
Gearbox	Manual						
Number of gears	6						
PERFORMANCE (All figures driver alone)							
Max speed (kph)	155	160	160	160	160	155	160
ECONOMY Litres/100km							
Combined	5.9	5.8	6.1	6.2	6.2	6.7	6.4
CO2 emissions (g/km)	155	153	159	162	162	175	168
WEIGHTS (kg) with 3 seats/2 seats							
Payload (1)	1125	1370	1345	1295	1295	1380	1295
Kerb weight (2)	1875	1930	1955	2005	2005	2120	2005
Gross Vehicle Weight (GVW)	3000	3300	3300	3300	3500	3500	3500
Max plated front axle (3)	1680	1800	1800	1800	1870	2100	1870
Max plated rear axle (3)	1650	1900	1900	1900	2000	2400	2000
Gross Train Weight (GTW)	5500	5800	5800	5800	6000	6500	6000
Maximum braked towing weight (4)	2500	2500	2500	2500	2500	3000	2500
Maximum unbraked towing weight	750	750	750	750	750	750	750
Maximum towball weight	100	100	100	100	100	100	100
Max roof rack load	150	150	150	150	150	150	150
Brakes Front/Rear	Ventilated Discs / Discs						
Turning circle between kerbs (m)	TBC						
Suspension: Front - Rear	Front: Independent with Macpherson type struts with coil springs and integral dampers Rear: Longitudinal leaf springs with telescopic hydraulic dampers						
Fuel tank capacity (litres)	90						

(1) Difference between GVW and kerb weight. (2) Without driver. Kerb weight is calculated including oil, water, lubricants, tools, spare wheel and 90% full fuel tank. Weights may change with the addition of equipment. (3) Within limits of GVW. (4) Maximum recommended towing weight within limits of GTW.

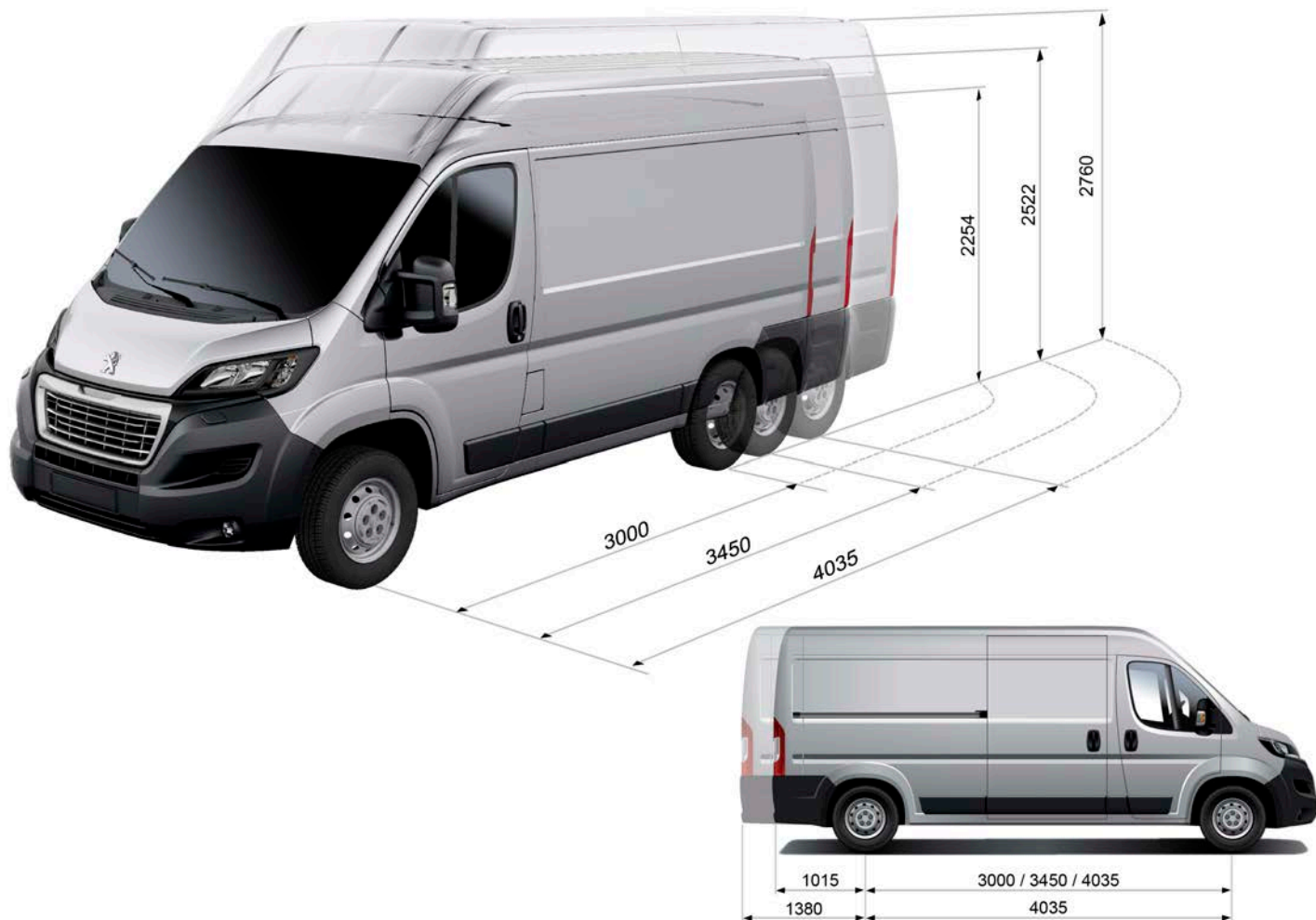
PEUGEOT BOXER TECHNICAL INFORMATION

BOXER PANEL VAN: VOLUMES & DIMENSIONS

VERSION	Boxer L1 Van	Boxer L2 Van		Boxer L3 Van			Boxer L4 Van	
	H1 2.2 BlueHDi 120bhp 1155kg	H1 2.2 BlueHDi 140bhp 1400kg	H2 2.2 BlueHDi 140bhp 1375kg	H2 2.2 BlueHDi 140bhp 1325kg	H2 2.2 BlueHDi 140bhp 1525kg	H2 2.2 BlueHDi 165bhp 1525kg	H3 2.2 BlueHDi 140bhp 1410kg	H3 2.2 BlueHDi 140bhp 1410kg Cruise control & Reverse Camera
Interior Dimensions(mm)								
Volume (m ³)	8	10	10	13	13	13	15	17
Load length at floor	2670	3120	3120	3705	3705	3705	4070	4070
Load length at mid-height with bulkhead	2464	2914	2914	3555	3555	3555	3920	3920
Load width (maximum)	1870	1870	1870	1870	1870	1870	1870	1870
Load width between wheel arches	1422	1422	1422	1422	1422	1422	1422	1422
Load height (maximum)	1662	1662	1662	1932	1932	1932	1932	2172
Side door width	1075	1250	1250	1250	1250	1250	1250	1250
Side door height	1485	1485	1485	1755	1755	1755	1755	1755
Rear doors width	1562	1562	1562	1562	1562	1562	1562	1562
Rear doors height	1520	1520	1520	1790	1790	1790	1790	2030
Rear door load sill height	535-565	535-565	535-565	535-565	535-565	535-565	535-565	535-565
Exterior Dimensions(mm)								
Wheelbase	3000	3450	3450	4035	4035	4035	4035	4035
Length	4963	5413	5413	5998	5998	5998	6363	6363
Height	2254	2254	2254	2522	2522	2522	2522	2760
Width (excl. door mirrors)	2050	2050	2050	2050	2050	2050	2050	2050
Front overhang	948	948	948	948	948	948	948	948
Rear overhang	1015	1015	1015	1015	1015	1015	1380	1380

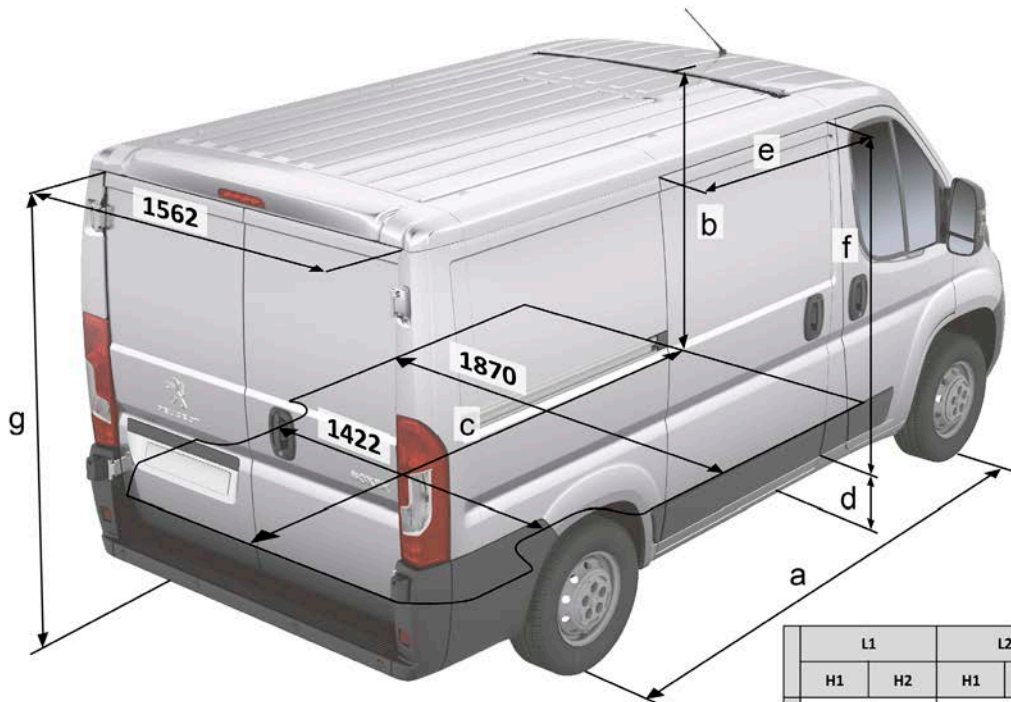
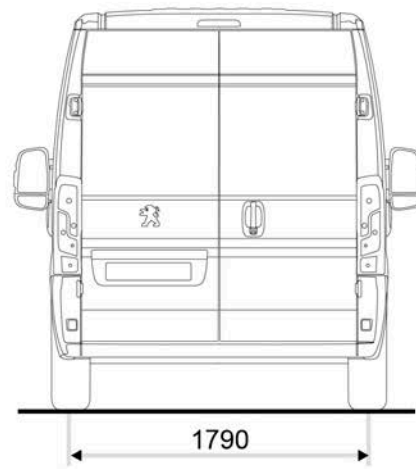
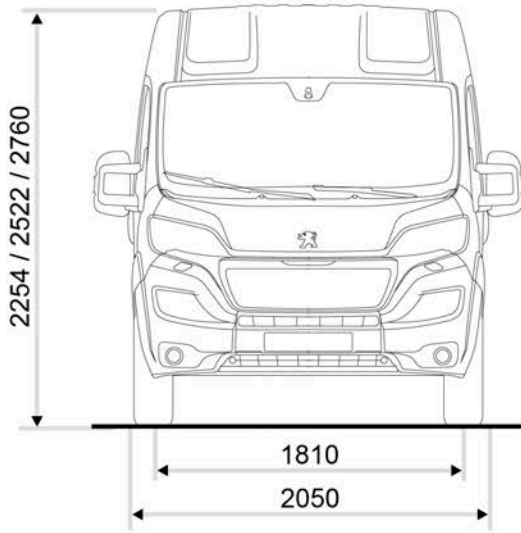
PEUGEOT BOXER TECHNICAL INFORMATION

BOXER PANEL VAN: EXTERIOR & INTERIOR DIMENSIONS



PEUGEOT BOXER TECHNICAL INFORMATION







BOXER PANEL VAN: EXTERIOR & INTERIOR DIMENSIONS









	L1		L2		L3		L4	
	H1	H2	H1	H2	H2	H3	H2	H3
a	3000		3450		4035		4035	
b	1662	1932	1662	1932	1932	2172	1932	2172
c	2670		3120		3705		4070	
d	493 / 602							
e	1075		1250		1250		1250	
f	1485	1755	1485	1755	1755		1755	
g	1520	1790	1520	1790	1790	2030	1790	2030

(mm)

BOXER PANEL VAN: VOLUMES (m³)

L1	L2	L3	L4	I
			 <p>17 m³</p>	H3
	 <p>11,5 m³</p>	 <p>13 m³</p>	 <p>15 m³</p>	H2
 <p>8 m³</p>	 <p>10 m³</p>			H1

BOXER PANEL VAN: GROSS VEHICLE WEIGHTS (KG)

L1	L2	L3	L4	E
			 <p>3,5t / 4t</p>	H3
	 <p>3t / 3,3t / 3,5t</p>	 <p>3,3t / 3,5t</p>	 <p>3,5t / 4t</p>	H2
 <p>3t / 3,3t</p>	 <p>3t / 3,3t</p>			H1

GET TO KNOW THE NEW PEUGEOT BOXER





E&OE MARCH 2021. FOR FURTHER INFORMATION TALK TO YOUR LOCAL PEUGEOT DEALER OR SEE WWW.PEUGEOT.IE.

The information contained in this specification sheet, is based on the data and images available at the time of publication. Some photography may feature left hand drive models. All images shown are for illustration purposes only. Photographic processes used may alter the depth and tone of the colours shown. As part of a policy on continuous specification improvement, Peugeot reserves the right to modify colours, trims, engine range, options and standard equipment at any time. This specification sheet is not a contractual document or offer of sale.